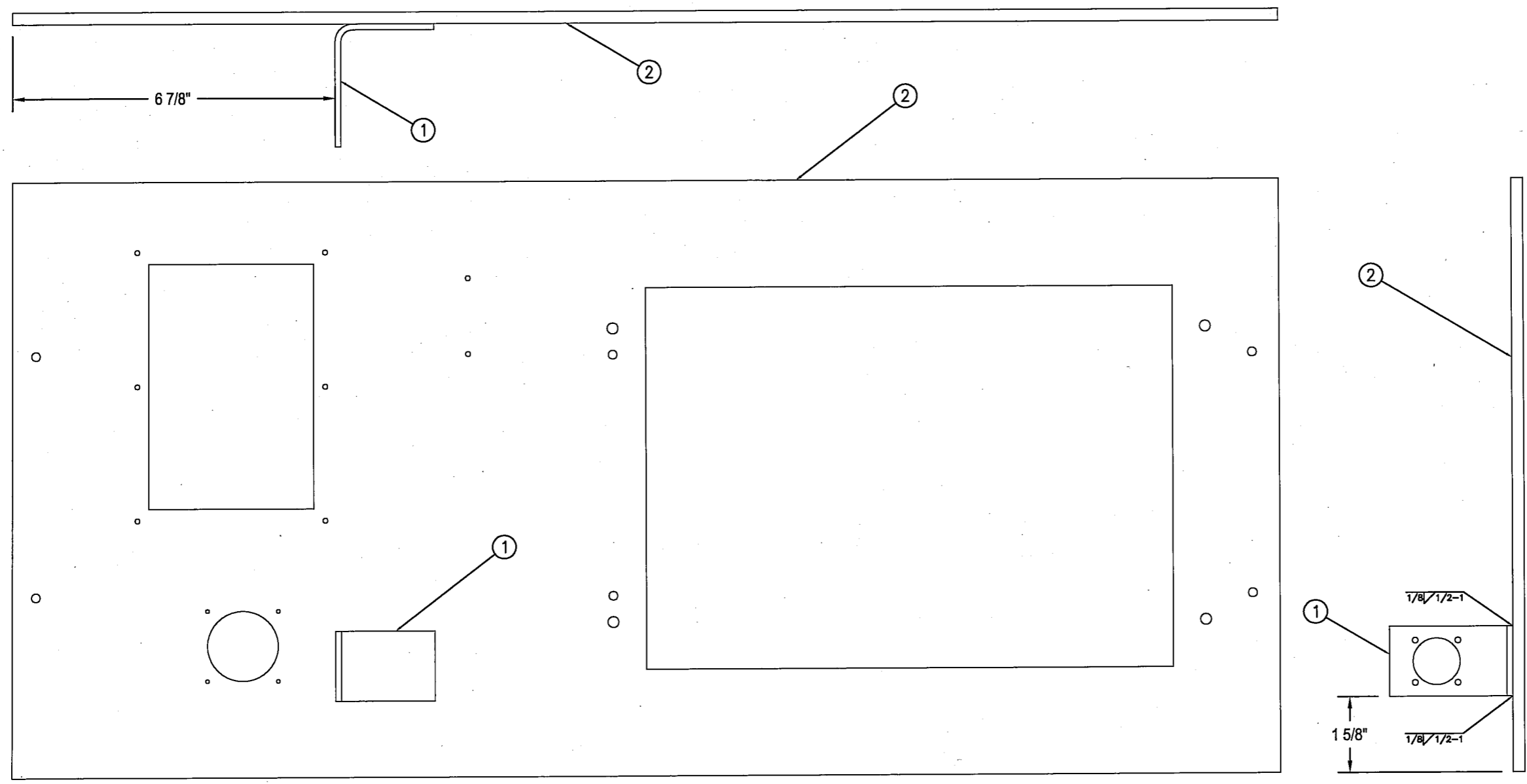


ASSEMBLY LIST				
ITEM	QTY./ASSY.	DESCRIPTION	REF. DRAWING	PART NO.
1	1	4000 SERIES CONDUCTOR LDU MOUNTING BASE PLATE ANGLE	-	-
2	1	4000 SERIES CONDUCTOR LDU MOUNTING BASE PLATE	-	-



SURFACE TREATMENT: MATTE BLACK
AFTER WELD

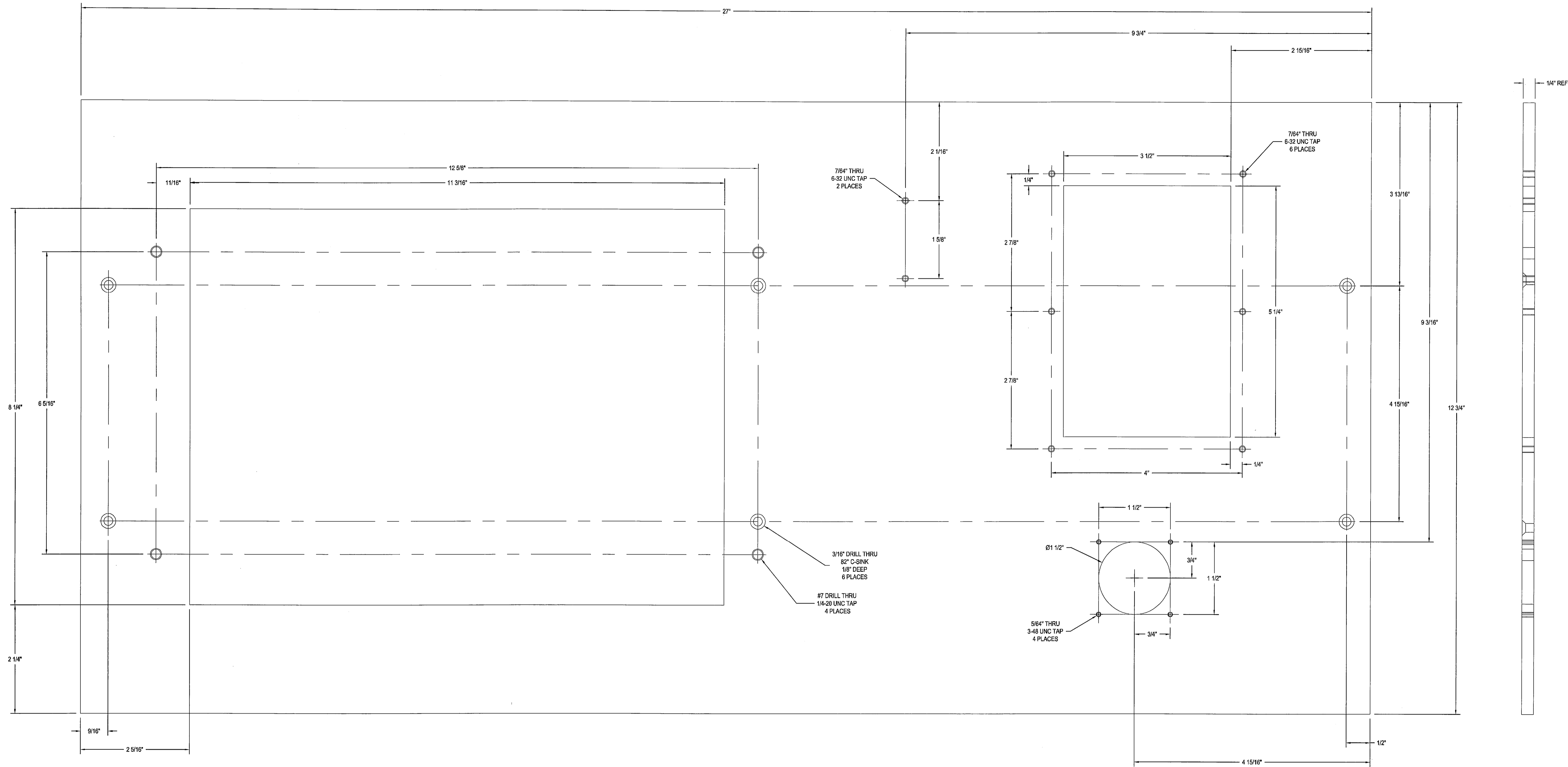
 ALASKA RAILROAD CORPORATION
ENGINEERING SERVICES
P.O. BOX 107500, ANCHORAGE, ALASKA 99510-7500

PROJECT:
**COLLISION AVOIDANCE SYSTEMS
INSTALL HARDWARE**

TITLE:
**4000 SERIES CONDUCTOR LDU MOUNTING
BRACKET BASE PLATE ASSEMBLY**

DESIGNED BY: EAB	SCALE: N/A	AFE NO.: 14412
DRAWN BY: EAB	DATE: 08/18/09	ACAD FILE:
CHECKED BY: <i>[Signature]</i>		DWG NO. 1 OF 3
APPROVED BY: <i>[Signature]</i>		

REV	DATE	BY	REVISION



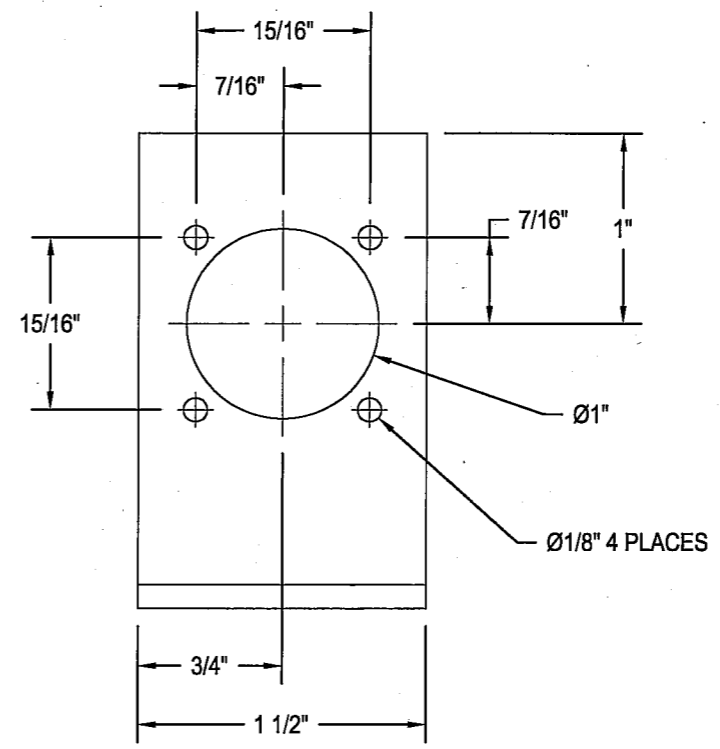
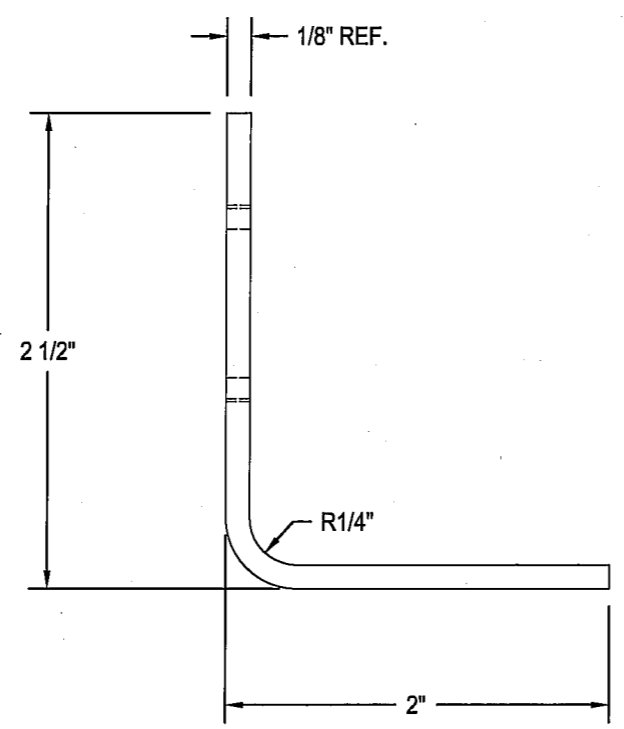
SURFACE TREATMENT: MATTE BLACK
MATERIAL IS 1/4" STEEL

ALASKA RAILROAD CORPORATION
ENGINEERING SERVICES
P.O. BOX 107500, ANCHORAGE, ALASKA 99510-7500



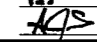
**COLLISION AVOIDANCE SYSTEMS
INSTALL HARDWARE**
**4000 SERIES CONDUCTOR LDU
MOUNTING BASE PLATE**

DESIGNED BY: EAB	SCALE: N/A	DATE: 08/18/09	REV. NO.: 1442
DRAWN BY: EAB			DWG. NO.
CHECKED BY: EAB			2 OF 3
APPROVED BY: [Signature]			

REV.	DATE	BY	REVISION



SURFACE TREATMENT: NONE
 MATERIAL IS 1/8" STEEL

 ALASKA RAILROAD CORPORATION ENGINEERING SERVICES P.O. BOX 107500, ANCHORAGE, ALASKA 99510-7500		
COLLISION AVOIDANCE SYSTEMS INSTALL HARDWARE		
4000 SERIES CONDUCTOR LDU MOUNTING BASE PLATE ANGLE		
DESIGNED BY: EAB	SCALE: N/A	AFE NO.: 14412
DRAWN BY: EAB		ACAD FILE:
CHECKED BY: 	DATE: 08/19/09	DWG NO.
APPROVED BY: 		3 OF 3

REV	DATE	BY	REVISION